



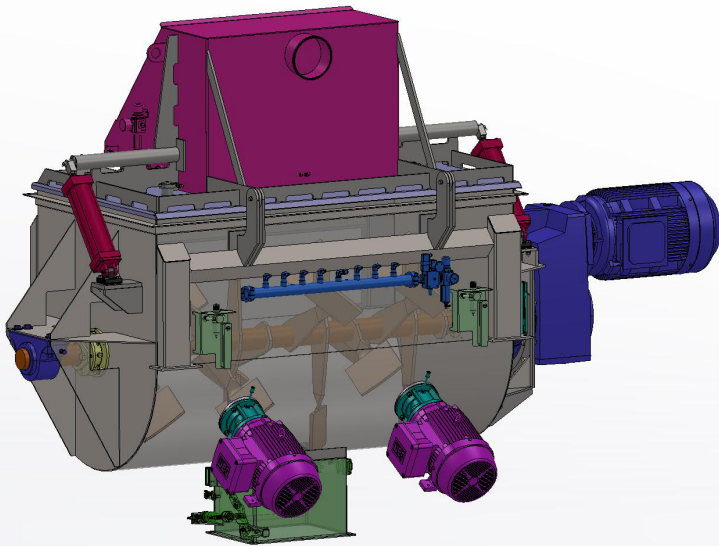
## APS Rebuild Kits

**Customer Support**

847-693-3700

customersupport@eirichusa.com

www.eirichusa.com



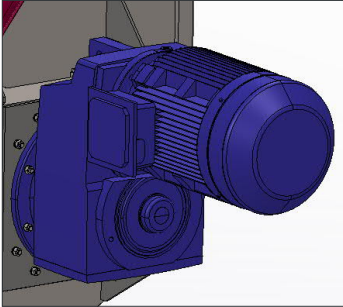
We recommend a **Rebuild Kit** when your blender from **American Process Systems®** is better served by a full kit, rather than individual replacement parts.

Let Eirich Machines take the hassle out of reviewing and researching what needs to be replaced. Our experienced staff will pull the information together and provide a thought-out and comprehensive solution.

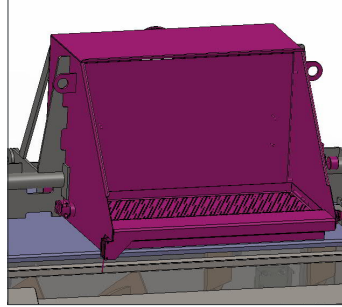
### The Benefits:

- Minimal downtime for the repair, longevity of interfacing assemblies, and increased productivity of the blender as a whole.
- Our team will not just speak to a general arrangement drawing, they will provide to you a visual representation of the assembly in question. In doing so, you will see how the assembly impacts blender.
- Our kits are guaranteed to fit the first time without any modifications.
- All methods of fastening will be included in the kit so that the installation time will be optimized.
- For multiple blenders we package the rebuild kits on skid. Each skid is then labeled to the corresponding blender, making your rebuild process clean and simple.

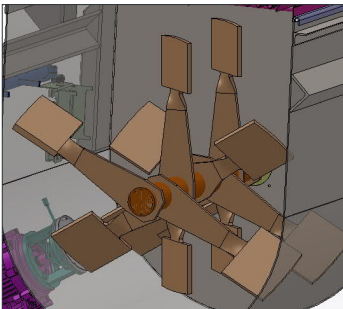
## Ask us about these APS Rebuild Kits:



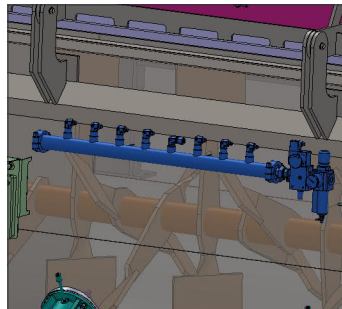
Agitator gearbox and motor



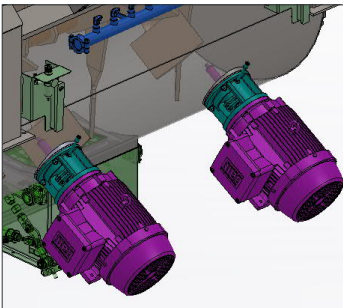
Non-filtered bag dump



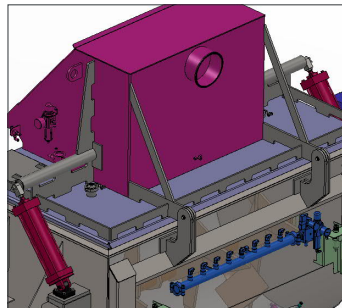
Agitator



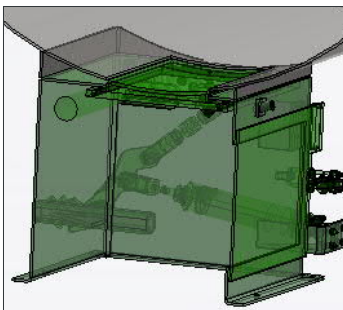
Air manifold



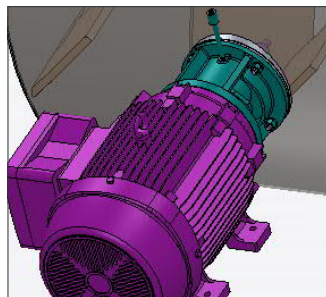
Chopper motors (purple)



Pneumatic cylinders for cover lifting/lowering



Discharge gate linkage assemblies



Seal air regulation kits (green and yellow)

