

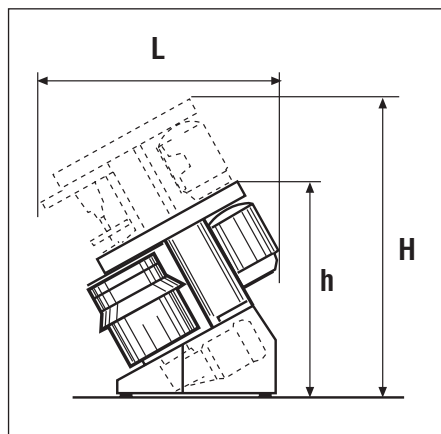
EIRICH Intensive Lab Mixer Type EL10

For the highest demands in research,
development, and production

- Versatile
- Powerful
- Reliable



Type		EL10
Capacity*	Liter	8-10
	max. kg	12
Weight	kg	295
Load on substructure	N	5000
Pan	diameter / mm	314
H / h	mm	1250/910
L	mm	930
Width	mm	1085



*product-specific

Areas of application

The main characteristic of this mixer type is its versatility.

Exchangeable tools and a choice of energy settings mean it is possible to produce an optimum quality of mix with the most diverse materials.

Batches ranging in consistency from dry to plastic and pasty can be processed.

Applications

Mixing, kneading, disagglomerating, fiberizing, distributing, dissolving and pelletizing.

Industrial scale-up of test results is possible.

Function

Service-proven mixing system for excellent preparation of materials.

Key components:

1. An inclined rotating mixing pan
2. A single rotating mixing tool
3. An adjustable multi-purpose tool

Feeding

From above

Emptying

The mixing pan can be removed for emptying. This requires the mixing tools to be lifted by hydraulics.

Drives / Motors

Mixing pan: Gear motor with frequency converter.

Rotor: By V-belt and multi-step pulley with frequency converter.

Drive rating

Mixing pan: 1 HP

Rotor: 5 HP

Control Panel

Type 4

cULus Listed

Power Requirements

230VAC/1PH/60Hz 50Amp

Special features

Heatable mixers for batch temperatures up to 100°C

Iron-free version with plastic-lined mixing pan and mixing tool made of solid carbide.

Includes

- Measurement of mixing product temperatures
- Color touch-screen display
- Data capture with USB port



Servicing and cleaning

The rotor bearing comes with a permanent grease charge. All other bearings are equipped with self-lubricating, maintenance-free bearing bushes. All parts in contact with the mix are made of special steel and are easy to clean.